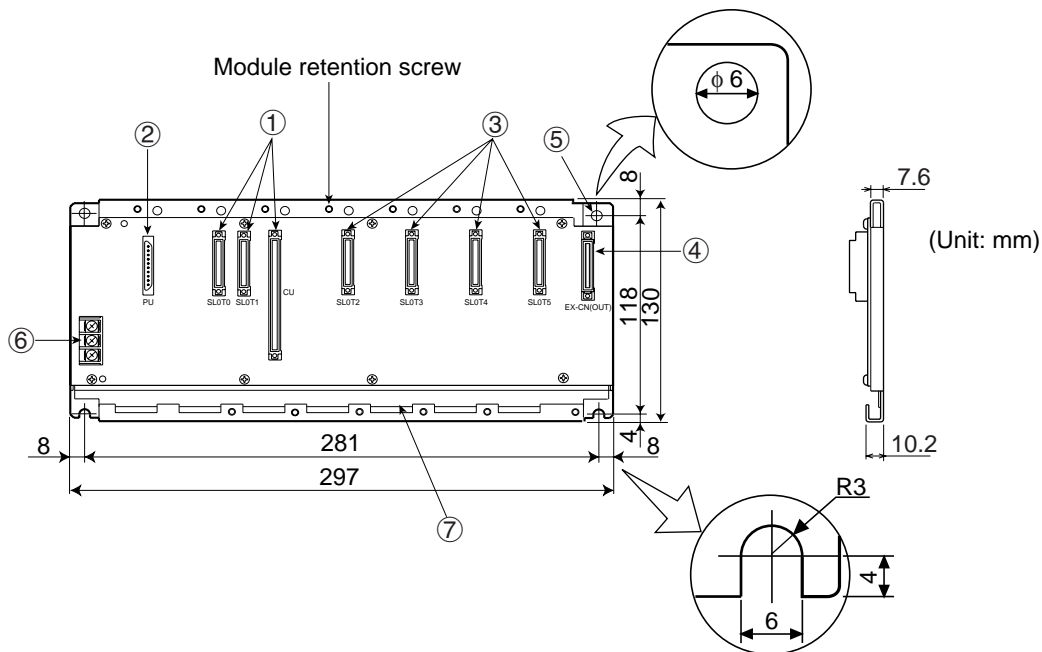


4-2 JW-34KBM (Basic rack panel)

The JW-34KBM shall be used as a basic rack panel when the JW-32CUM1 is used as a control module.



Name		Function	
①	Control module slot (CU, SLOT 0/1)	Install the JW-32CUM1 here.	
②	Power supply module slot (PU)	Install a power supply module here.	
③	I/O module slot (SLOT2 to 5)	Install I/O, special I/O, I/O link, or option modules. - Slot numbers: 2 to 5.	
④	I/O extension connector (EX-CN (OUT))	Connect an I/O extension cable or a JW-31EA I/O bus extension adapter.	
⑤	Mounting holes (4 positions)	Install the JW-34KBM on a control panel wall. (Minimum wall thickness: 1.6 mm)	
⑥	5 V (FG) terminal block	5 VDC (+, -)	Connect this block to the next expansion rack panel and supply 5 VDC.
		FG	Connect a class 3 or better ground.
⑦	Module fixing rib insert hole	Insert the module fixing ribs here when installing a power supply, I/O, special I/O, I/O link, or option module.	