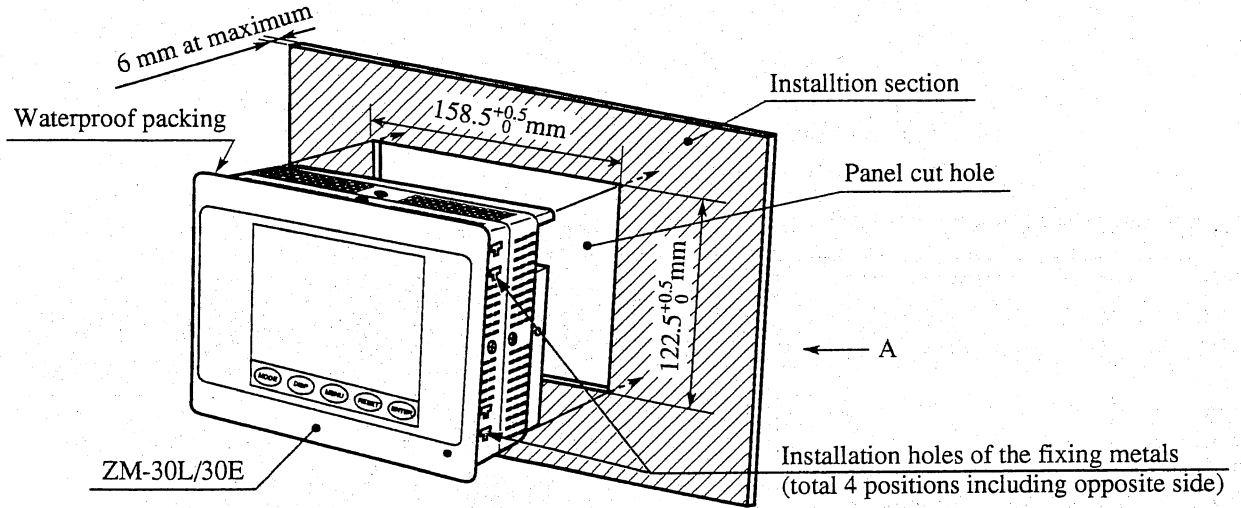


CHAPTER 5 INSTALLATION AND WIRING

5 - 1 Installation

- ① Make a hole (size: $122.5^{+0.5}_0 \times 158.5^{+0.5}_0$ mm) on the installation section (thickness: 6 mm at maximum) and install the Control Terminal.



- ② Insert the fixing metals (4 pieces) supplied with the Control Terminal into installation holes (4 positions) of the body. Tighten the retention screws of the fixing metal to fix the Control Terminal on an installation section of the panel.

